

22 SATURN LED (24-LED)

Construction:

The unit consist of a body (1). A shade (3) is mounted to the luminary body with a frame (2). A disk (5) separating electrical compartment from lighting compartment, is attached to a luminary body (2). A LED light sources radiator (6) is settled to the disk (5). LED modules (7) are mounted to the radiator (6) with a set of lenses, by screws. The modules are powered with a power supply (8). The luminary cover (4) is mounted to the luminary body (1) with a hinge and closed with a screw (10) so no additional tools are necessary. The luminary is sealed with a gasket (9) As an option, we equip the luminary with a ZHAGA socket (11).

Mounting instructions:

- *) - Mount the shade (3) to the body (1) with a frame (2). Tighten mounting bolts.
- *) - Screw the LED light sources(7) with a lenses to the radiator (6), mount a disk (5) to the body (1).
- *) - Connect the electrical cables according to the scheme.
- Close the cover (4), screw the bolt (10) using hand.
- Luminary is mounted to the lantern depending on the pole construction - either hanging on M20 thread or mounted on the top of the pole on $\varnothing 45\text{-}\varnothing 90$ diameter.

If any lantern elements are supplied factory-mounted, the mounting stages marked with *) should be omitted (as this has already been done by the manufacturer).

Technical data:

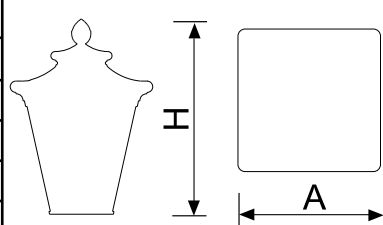

- Power: **~220-240V / 50-60Hz**
- Ambient/work temperature : **-30°C do +35°C**
- Protective class: **I**
- Ingress protection code: **IP66**
- Mechanical impact protection code: **IK10**
- Surge protection: **to 10kV**
- Life time: **L90, B10 >100 000h**
- Controls method: **1-10V, DALI, Ampdim, Dynadimmer,**
as an option - **socked ZHAGA with SR driver (D4i),**

Application:

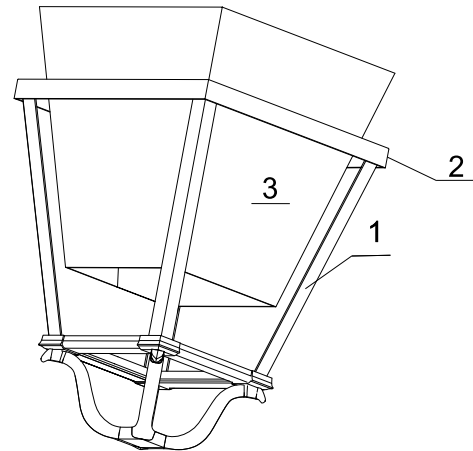
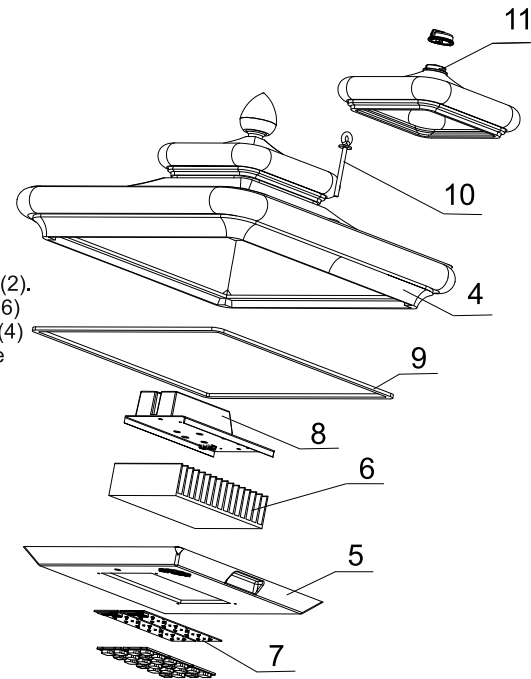
Lighting: roadways, pavements, bicycle paths, markets, parks, parkings,



Product equipped with a replaceable light source LED - options:

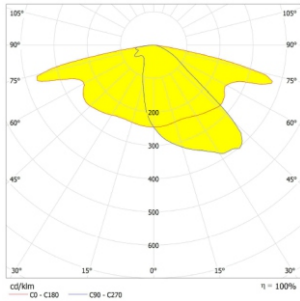
| Symbol | Light source | Luminous flux [lm] | | | Pn [W] | If [mA] | Weight [kg] | Luminary dimensions | |
|----------|--------------|--------------------|-------------|-------------|--------|---------|-------------|--|---|
| | | 2700K (827) | 3000K (830) | 4000K (840) | | | | | |
| 02 L-25W | 24-LED G5 | 2641 | 2781 | 2940 | 25 | 300 | 12,6 |  Wind aera $A = 0,19m^2$ H/A 670/500 | |
| 02 L-32W | 24-LED G5 | 3434 | 3615 | 3822 | 32 | 400 | 12,6 | | |
| 02 L-39W | 24-LED G5 | 4196 | 4417 | 4670 | 39 | 500 | 12,6 | | |
| 02 L-46W | 24-LED G5 | 4931 | 5191 | 5488 | 46 | 600 | 12,6 | | |
| 02 L-54W | 24-LED G5 | 5643 | 5940 | 6281 | 54 | 700 | 12,6 | | |
| 02 L-61W | 24-LED G5 | 6335 | 6668 | 7051 | 61 | 800 | 12,6 | | |
| | | | | | | | | |  |

Luminous flux values shall be declared for ambient temperature 25°C. The class of modules used assumes 5% tolerance of the declared luminous flux value. The weight of the unit may slightly differ for individual production batches.

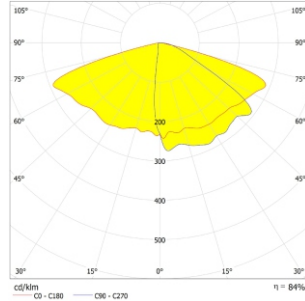


22 SATURN LED (24-LED)

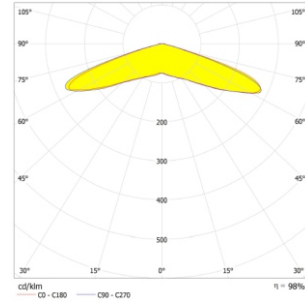
Available lenses - *Photometry (polar plot)* :



1. Basic lens ME

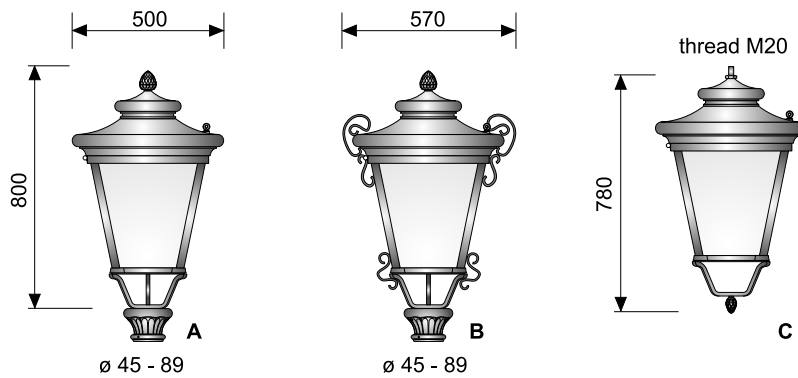


2. As an option lens T3

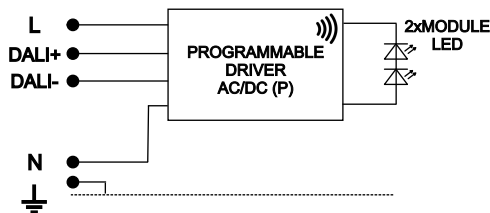


3. As an option lens VSM

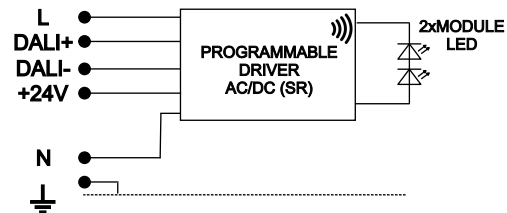
Versions/assembling:



Electrical diagrams:



1. Light source LED
 (basic version - programmable driver)



2. Light source LED
 (version as an option - Sensor Ready driver)

-programmable driver (P) enables programming of a five-steps power reduction, surge protection to 10kV

-programmable driver (SR) enables to be powered wireless communication devices, via a ZHAGA socket, surge protection to 10kV

-detailed specifications of the power supplies include catalogue cards of their manufacturers, which we provide on request