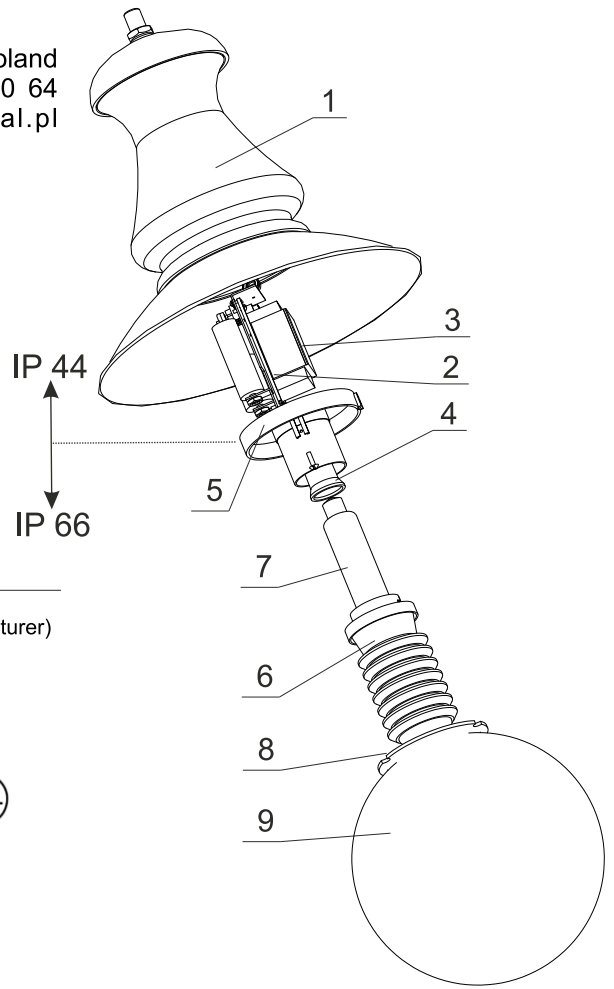


**Construction:**

The unit consists of a lamp body (1) with an in-built tray (2) holding an igniter module (3) and a lampholder (4). The tray is covered by a housing (5), to which a reflector (6) can additionally be fixed. The tightness of the connection between the housing and the lamp base is provided by a gasket (8). A lamp (7) is put in the lampholder. A shade (9) is fitted to the lamp body (1).

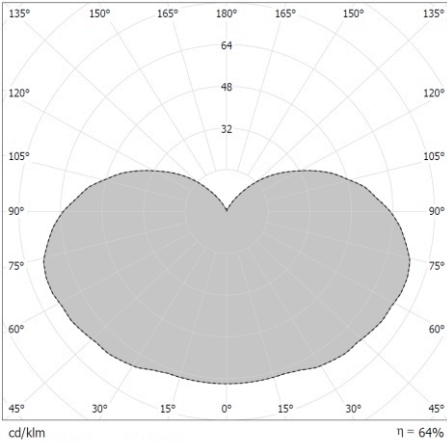
**Mounting instructions:**

- \*)-Mount the igniter module (3) and the lampholder (4) on the tray (2).
- \*)-Connect the electrical system of the pole to the igniter module(3).
- \*)-Fix the tray (4) to the lamp body (1)
- \*)-Fix the housing (5) complete with the gasket (8) to the lamp body (1).
- Put the bulb (7) in position.
- Attach the RASTER reflector (6) to the housing (5) with the bolts.
- Screw the shade (9) all the way into the female threaded lamp body.



If any lantern elements are supplied factory-mounted, the mounting stages marked with \*) should be omitted (as this has already been done by the manufacturer)

**TECHNICAL DATA:**



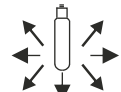
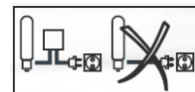
Photometry (polar plot)

**Power: ~230/50Hz**

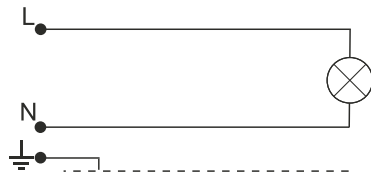
**Protective class: I** 

**IP44 -electrical part**

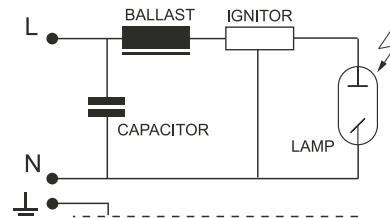
**IP66 -optical part**



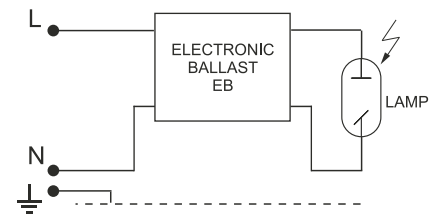
**ELECTRICAL DIAGRAM:**



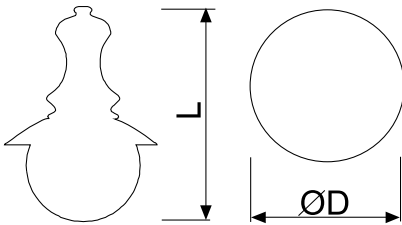

1. Incandescent bulb



2. Sodium / metal halide lamps



3. Sodium / metal halide lamps

Type	Light-producing element	Lamp holder	Weight [kg]	Pn [W]		Luminary dimensions	
				IC	EB	Wind area A = 0,12m <sup>2</sup>	L/D 600/420
09MH-70W	MH/HSI/HPI	E27	7,8	81	75		
09MH-100W	MH/HSI/HPI	E27	7,9	114	105		
09S-70W	WLS/SHP/SON	E27	7,8	81	75		
09Z-E/Z	Bulb / MINI - LINX	E27	6,4	Maks. 60			

**WARNING !!** The weight of the unit may slightly differ for individual production batches.