



art metal

16 PLUTON

F.P.H. Art Metal Sp.j.

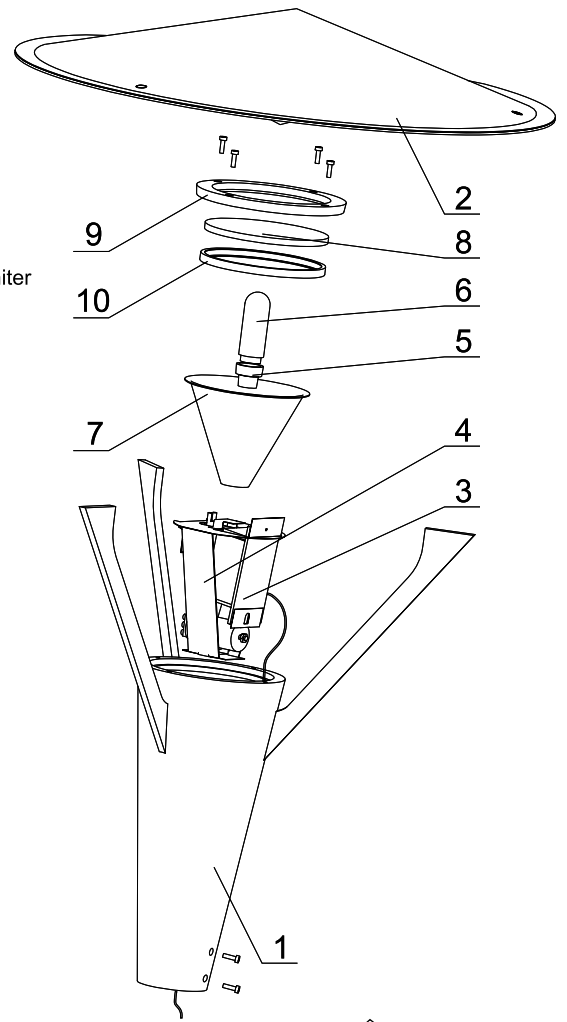
Ul. Jabłoniowa 124, 83-331 Łapino Kartuskie, Poland
Tel. 0048 58 681 80 78, Fax: 0048 58 681 80 64
www.art-metal.pl e-mail: biuro@art-metal.pl

Construction:

The unit consists of a lamp body (1) with an elliptic reflector (2) mounted to it. There is an igniter module (3) inside the lamp body. The igniter module is mounted on a frame (4). A ceramic lampholder (5) is placed on a frame. There is a bulb (6) mounted in the lampholder. A reflector (7) is mounted above the frame in the lamp body. Shade is closed with a pane (8) from the top. The pane is tightened with a ring gasket (9). There is a gasket (10) between the pane and the lamp body.

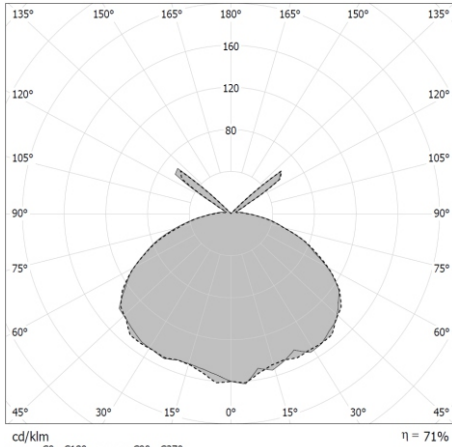
Mounting instructions:

- *) - Place the igniter and the lampholder in a frame.
- *) - Fix the frame inside the lamp body. Carry the installation out of the lamp body.
- Fix the bulb and the reflector on the frame.
- Mount the reflector.
- Put the pane and the gasket. Tighten with a ring gasket.
- Place the bottom, elliptic reflector - screw with bolts.



If any lantern elements are supplied factory-mounted, the mounting stages marked with *) should be omitted (as this has already been done by the manufacturer)

TECHNICAL DATA:



Photometry (polar plot)

Power: ~230/50Hz

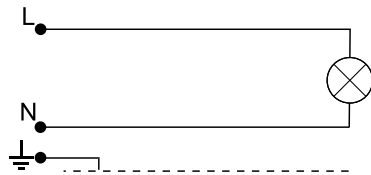
Protective class: I

IP66 -electrical part

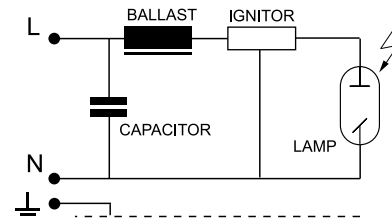
IP66 -optical part



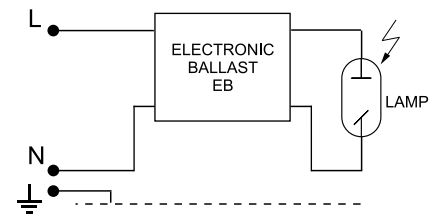
ELECTRICAL DIAGRAM:



1. Incandescent bulb



2. Sodium / metal halide lamps



3. Sodium / metal halide lamps

| Type | Light-producing element | Lamp holder | Weight [kg] | Pn [W] | | Luminary dimensions |
|-----------|-------------------------|-------------|-------------|---------|-----|---|
| | | | | IC | EB | |
| 16MH-70W | HCI-T/CDM-T | G12 | 7,5 | 81 | 78 | <p>Wind area A = 0,11m²</p> <p>L/D 725/700</p> |
| 16MH-100W | HCI-T/CDM-T | G12 | 7,6 | 114 | 109 | |
| 16MH-150W | HCI-T/CDM-T | G12 | 8,3 | 169 | 164 | |
| 16Z-E/Z | Bulb / MINI - LINX | E/27 | 6,2 | Max. 60 | | |
| | | | | | | |

WARNING !! The weight of the unit may slightly differ for individual production batches.

