



art metal

27 SYNCHRO II LED

F.P.H. Art Metal Sp.j.

Ul. Jabłoniowa 124, 83-331 Łapino Kartuskie, Poland
Tel. 0048 58 681 80 78, Fax: 0048 58 681 80 64
www.art-metal.pl e-mail: biuro@art-metal.pl

Construction:

The unit consists of a body (1) closed on the top with a bonnet (2) with hinge. Tools are not necessary, to open a luminary unfasten buckles (9).

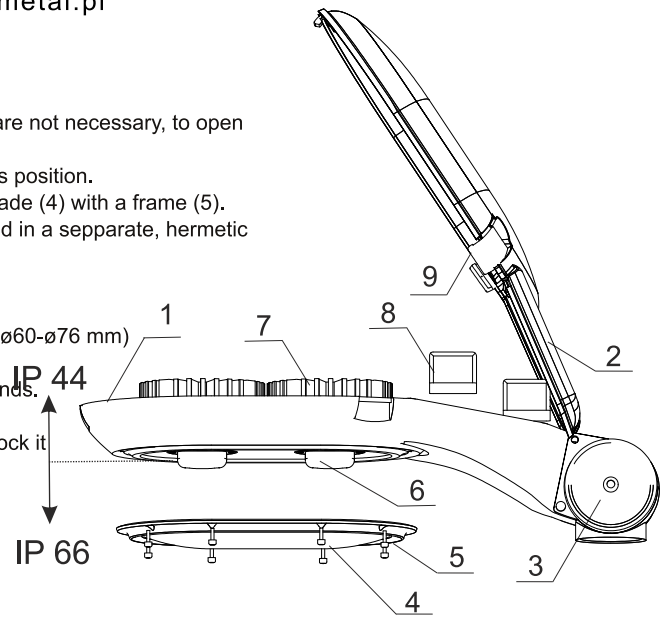
The body is mounted to the pole with adjustable joint (3) which enables to regulate its position.

Optical part of the luminary with LED modules and lenses (6) is tightly closed by shade (4) with a frame (5).

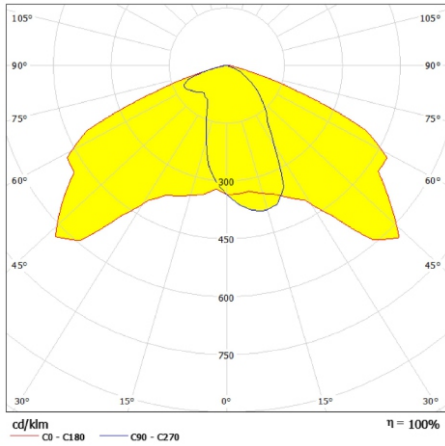
The radiators (7) are fixed to the body in its ventilated part. Power supply (8) is placed in a separate, hermetic compartment. The tightness of the luminary ensure the seals (10).

Mounting instructions:

- Lead the cable through the joint and place a luminary on the pole or arm (diameter $\phi 60\text{-}\phi 76\text{ mm}$)
- Tighten the screws and stabilize luminary in a proper position
- Make electrical connections in accordance with the markings. Tighten the cable glands.
- Close the bonnet (2), fasten to the body (1) with buckles (9).
- Angle of the luminary is regulated with a scale on the joint. Tighten the screws to block it on the correct position.



TECHNICAL DATA:



Photometry (polar plot)

Power: ~230/50Hz

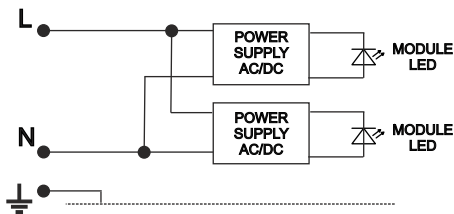
Protective class: I

IP44 -electrical part

IP66 -optical part



ELECTRICAL DIAGRAM:



1.Module LED

Type	Light-prod. element	Luminous flux[lm]		Weight [kg]	Pn [W]	Luminary dimensions
		3000K	4000K			
27L-66W	NZL33(Cree)	7042	7570	12,4	70	
27L-76W	NZL38(Cree)	7734	8314	12,4	80	
27L-100W	NZL50(Cree)	9646	10372	12,4	108	
27L-116W	NZL58(Cree)	10508	11298	12,4	116	

WARNING !! The weight of the unit may slightly differ for individual production batches.

Sign: L-27L2-01-00

Last revision: 2017.04.03

