

POLE WS3

Construction:

The load-bearing structure of the WS3 post is made from a steel pipe with a diameter of $\varnothing 159 \times 4$ mm at the base, and reduced to $\varnothing 101 \times 4$ at the mast.

The upper part of the post is a straight pipe cut at an angle of 90° to the axis. Where luminaires are mounted on side-mounted arms rather than at the top of the post, the tip of the post is secured with an aluminium plug.

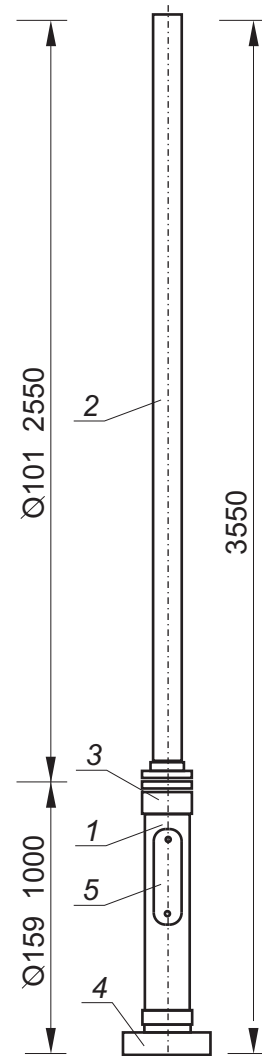
The mounting flange is covered with a decorative cast element.

The point of transition between the flange and the pipe of the post is also masked with a cast element.

The base of the post is fitted with a small access door closed with a bolt. A mounting rack inside the post enables one to install electrical fittings.

Anchorage:

The post should be mounted on an F100A foundation with a 150x150 spacing of four M16 mounting bolts.



TECHNICAL INFORMATION:

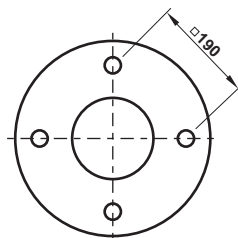
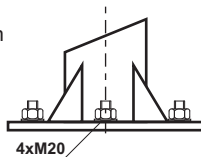
Maximum side area mounting on the top of pole are **1,2 m²**
 (area simetrically to the pole axis).

Maximum weight on the top of pole **80 kg**.

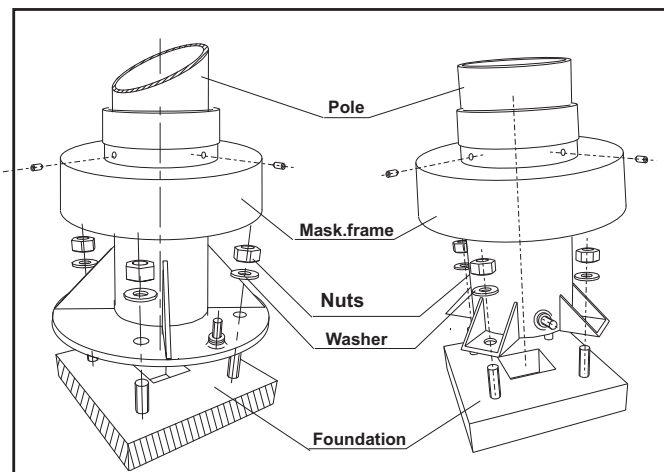
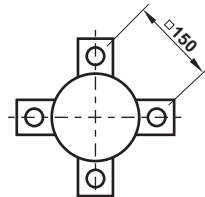
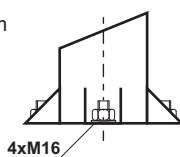
Parameters calculated for wind area "I" (20m/s) according to PN-77/B-02011

ANCHORAGE:

Pole height $H > 5m$



Pole height $H < 5m$



Doc.signature: S-0WS3-03

Last revision: 2006.12.05