



art metal

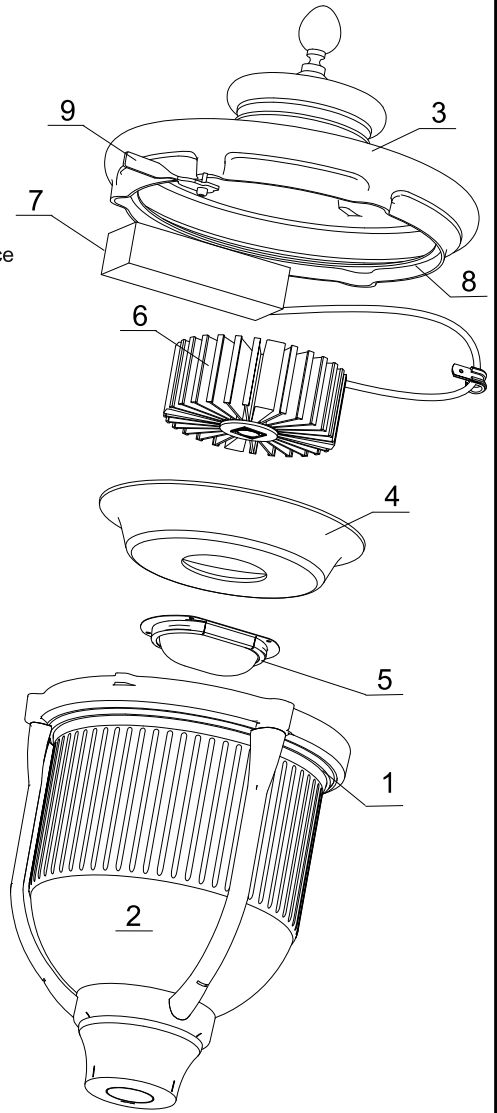
39 MAJA LED

F.P.H. Art Metal Sp.j.

Ul. Jabłoniowa 124, 83-331 Łapino Kartuskie, Poland
 Tel. 0048 58 681 80 78, Fax: 0048 58 681 80 64
 www.art-metal.pl e-mail: biuro@art-metal.pl

Construcion:

The unit consists of a metal basket (1) holding a shade (2). A disk (4) separating electrical compartment from lighting compartment is attached to a luminary basket (1) on the top. A LED light source radiator (6) is mounted to the disk (4). LED module is mounted to the radiator (6) and tightly closed with a lens (5). Module is powered with a voltage power supply (7). The luminary cover (3) is mounted to the luminary body (1) with a hinge and closed with a screw (9) so no additional tools are necessary. The luminary is sealed with a gasket (8).

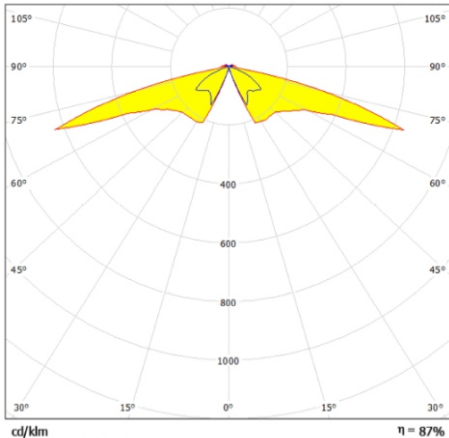


Mounting instruction:

- *)- Put the shade (2) into the basket (1)
- *)- Screw the radiator (6) to mount an LED light source to the disk (4)
 - Connect the electrical cables according to the markings
- *)- Screw tightly disk (4) to the luminary basket (1)
 - Close the cover (3) with the screw (9) using hand.
 - Luminary is mounted to the lantern depending on the pole construction - either hanging on M20 thread or mounted on the top of the pole on $\varnothing 45\text{-}\varnothing 90$ diameter.

If any lantern elements are supplied factory-mounted, the mounting stages marked with *) should be omitted (as this has already been done by the manufacturer).

TECHNICAL DATA:

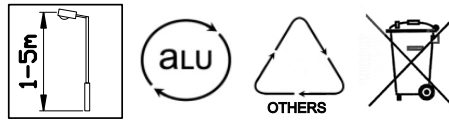


Power: ~230/50Hz

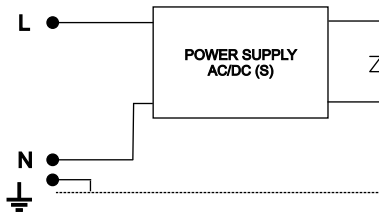
Protection class: I

IP65 -electrical part

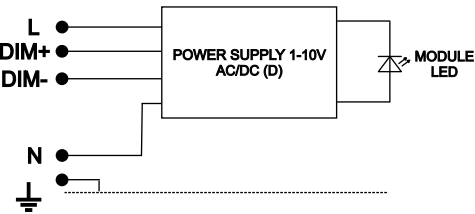
IP65 -optical part



ELECTRICAL DIAGRAMS:



1. Module LED -basic power supply (S)



2. Module LED -dimmable power supply (D)

| Type | Light-prod. element | Luminous flux [lm] | | Weight [kg] | Pn [W] | Luminary dimensions | |
|---------|---------------------|--------------------|-------------|-------------|--------|---|--|
| | | 3000K (830) | 4000K (840) | | | | |
| 39L-22W | CXB2540 | 2990 | 3170 | 8,5 | 22 | <p>Wind area $A = 0,11\text{m}^2$</p> <p>H/D 570/350</p> | |
| 39L-33W | CMA2550 | 4286 | 4609 | 8,5 | 33 | | |
| 39L-38W | CMA2550 | 4842 | 5207 | 8,5 | 38 | | |

WARNING !! The weight of the unit may slightly differ for individual production batches.

